

FreshPoint™ U440

Service Manual



IMPORTANT: Fill in Pertinent Information on Page 3 for Future Reference

Table of Contents

Installation & Start-Up Checklist	3
Product Specifications & Important Information	4
Safety, Cautions, & Warnings	5
Flushing Schedule & Installation Instructions	6
Installation Instructions	7
Basic Programming Quick Reference Guide.....	22
Programming	23
Service & Maintenance.....	29
Troubleshooting	31
Flow Rate vs. Driving Pressure	33



IMPORTANT PLEASE READ:

- The information, specifications and illustrations in this manual are based on the latest information available at the time of printing. The manufacturer reserves the right to make changes at any time without notice.
- This product should be installed by a plumbing professional.
- This unit is designed to be installed on potable water systems only.
- This product must be installed in compliance with all state and municipal plumbing and electrical codes. Permits may be required at the time of installation.
- If daytime operating pressure exceeds 80 psi, nighttime pressures may exceed pressure limits. A pressure reducing valve must be installed.
- Do not install the unit where temperatures may drop below 32°F (0°C) or above 104°F (40°C).
- Do not place the unit in direct sunlight.
- Do not strike any of the components.
- Warranty of this product extends to manufacturing defects of the vessel and controller, not the membrane. Misapplication of this product may result in failure to properly condition water, or damage to product.
- A prefilter should be used on installations in which free solids are present.
- In some applications local municipalities treat water with Chloramines. High Chloramine levels may damage system components.
- Correct and constant voltage must be supplied to the controller to maintain proper function.

Installation & Start-Up Checklist

- Use this form to record initial system hardware, site conditions, and controller programming information.
- Retain a copy for future reference.
- Fill in the appropriate data (if available).
- Checklist data should be collected and logged on this form for each system installed.

Start-up Data:

Installation Date: _____

Installer: _____

Installation Site: _____

Application: _____

System Model/Serial Number: _____

Water Source: _____

Water Analysis:

Turbidity: _____

Total Iron: _____

Water Temperature: _____

System Inlet Pressure (if available): _____

System Outlet Pressure: (if available): _____

Flow Rate During Pressure Reads: _____

Chlorine: _____

Pretreatment Installed: _____

Back-flush Kit Installed: Yes _____ No _____

Set Volume Between Flushes: _____

Set Flushing Duration: _____

Set Day Override: _____

Initial Product Water Flow Rate: _____

Other Program Details: _____

General Notes:

Checklist of Installation/Start-Up Steps

1. Installation location allows access to membrane ____
2. Mounting provision accommodates system weight ____
3. Listed components/fittings present ____
4. Loose components assembled to system ____
5. System securely mounted ____
6. Solenoid valve/flow meter signal connections ____
7. Plumbing connections completed ____
8. Initial flush w/o leaks ____
9. Electrical power connected ____
10. System sanitized ____
11. Back-up battery installed in controller ____
12. Controller display okay ____
13. Time of day set ____
14. All programming steps completed ____
15. Proper operation verified ____
16. Installation/Set-Up information entered onto form ____

Specific Installation Notes

(Problems/Suggestions/Comments):

Product Specifications & Important Information

Introduction to the FreshPoint™ Ultrafiltration System

The FreshPoint™ ultrafiltration system is an advanced Point of Entry (POE) water treatment device designed to improve the water quality in the entire home. It uses ultrafiltration membrane technology to provide a physical barrier to particles, large dissolved molecules, most colloids, and microbes down to 0.025 um in size. The FreshPoint™ is not designed to removed ions or other elemental forms such as hardness and heavy metals, or small organic molecules such as pesticides.

The FreshPoint™ should only be installed by a qualified professional. The installation must comply with all local codes and state or provincial laws and regulations.

In addition to meeting codes, laws, and regulations, the home owner should understand the care and maintenance of the FreshPoint™. Please read the information found in this service manual.

SAFETY NOTICE: Read all safety precautions before installing, operating, or servicing the FreshPoint™.

Product Specifications

Technical Data and Specifications

pH Range During Operation.....	3-10
Free Chlorine	Max. 200 mg/L for cleaning, 4 mg/L for service
Maximum Continuous Flow.....	Recommended 1.2 gpm (surface waters) to 2.9 gpm (well water)
Maximum Intermittent Flow	10 gpm
Recommended Operating Pressure.....	up to 60 psig
Maximum Operating Pressure	120 psig
Minimum Operating Temperature.....	33°F (Do Not Freeze)
Maximum Operating Temperature.....	104°F
Contaminant Removal Size.....	150,000 daltons molecular weight cut-off 0.025 um nominal pore size

Multibore® Capillaries

Capillaries per Fiber.....	7
Outer Diameter.....	Inch0.17
Inner Diameter	Inch0.04
Material	PESM
Molecular Weight Cutoff (MWCO).....	k Daltons100-150
Active Membrane Surface.....	ft ²48.50

IMPORTANT! READ THIS FIRST

Read this service manual thoroughly before first use.

- All plumbing and electrical codes must be complied with when installing this product.
- Only qualified personnel should install this product.
- Check the FreshPoint™ periodically to ensure proper operation (i.e.: flushing, flow rate, pressure drop, etc)
- Do not allow the FreshPoint™ to be exposed to freezing temperatures. Freezing may damage the system.
- Ensure the membrane does not dry out. Opened membranes should be preserved with a 0.1% sodium bisulfite solution.
- The FreshPoint™ will continue to operate as a filter during power loss. However, when power returns after an extended outage, the timer may need reprogramming.
- Keep this service manual near the FreshPoint™ system for future reference.
- The FreshPoint™ is intended to treat only potable quality water. It is not intended as the permanent primary treatment of water from a source that is contaminated, such as from radon, pesticides, insecticides, sewage, or wastewater.
- Use lubricants (such as silicone) sparingly.

Safety, Cautions, & Warnings

Safety

- The FreshPoint™ must be wired according to local electrical codes to prevent the possibility of electrical shock.
- Do not modify the power supply cord.
- The FreshPoint™ must be installed in compliance with local plumbing codes and any other applicable codes.
- The FreshPoint™ has been designed and tested to offer reliable service when installed by a qualified professional and operated and maintained according to the instructions in this service manual.
- For safety reasons, the FreshPoint™ is furnished with a low voltage power transformer to plug into the electrical outlet. Do not replace this transformer with another power supply (except as supplied by the manufacturer), as this may cause damage to the electronics.
- Install the FreshPoint™ only for its intended use as described in this service manual.
- Do not use corrosive chemicals in the FreshPoint™.
- Do not install the FreshPoint™ if it has a damaged cord or plug, if it is not working properly, or if it has been damaged or dropped.
- Do not immerse the cord or plug in water.
- Keep the cord away from heated surfaces.
- Disconnect the FreshPoint™ from the power source before performing any service or maintenance on the controller, meter, or solenoid valves.
- Do not plug in the controller transformer if there is water on the electrical wiring or the power supply.
- Always shut off the water flow and release water pressure before cleaning or maintaining the FreshPoint™.
- The FreshPoint™ is intended for indoor use only. The power supply and controller must not be exposed to weather elements.
- The outlet used for power to the FreshPoint™ should be an unswitched outlet.

NOTE: This product should be installed by a qualified professional. Comply with all plumbing and electrical codes when installing this product.



CAUTION

- **Minimum water pressure 20psig.**
- **Maximum water pressure 120psig.**
- **Minimum water temperature 34°F (1°C)**
- **Maximum water temperature 104°F (40°C)**
- **Ambient temperature 34°F to 104°F (1°C to 40°C)**
- **Disconnect all power sources before servicing.**
- **Always operate the controller with the cover in place.**



WARNING

The system MUST be depressurized before removing any quick connections for servicing.

Flushing Schedule & Installation Instructions

Flushing Schedule

The FreshPoint™ is flushed on a schedule dependent on the quality of water being treated.

Default Factory Settings

Flush Frequency: 100 gallons

Flush Duration: 0.5 minutes

Day Override: 1 Day

These settings may need to be adjusted based on the analysis for the water treated and practical experience with fouling. The FreshPoint™ will automatically initiate a flush if 24 hours (for each 1 day of the Day Override setting) has elapsed since the last flow initiated flush. This setting is adjusted in the day override setting in master programming.

A post-ultrafilter pressure tank is recommended to ensure sufficient flow and pressure to the home during a flush cycle. The backflush surge tank (where installed) will perform the same function.

Refer to Table 1 below for initial set up.

Water Source	Typical Water Quality to Filter (with recommended pretreatment)	Recommended Pretreatment ¹	Backflush Kit	Flush Frequency (Gallons Throughput)	Flush Duration (Seconds)
Surface Water (Municipally Treated)	<ul style="list-style-type: none"> • Chlorine < 4.0 mg/l • Turbidity < 1.0 NTU • TOC < 2.0 mg/L • SDI15 < 6.67 • Metals (Fe, Mn, Cu, etc.) < 1 mg/l 	<ul style="list-style-type: none"> • 200 micron prefilter 	Recommended	100	30
Surface Water (Private Multi Barrier Treatment)	<ul style="list-style-type: none"> • Chlorine > 2mg/l, < 4.0 mg/l • Turbidity < 5.0 NTU • TOC < 10.0 mg/L • SDI5 < 20 • Metals (Fe, Mn, Cu, etc.) < 1 mg/l 	<ul style="list-style-type: none"> • In-Line coagulation and filtration with multimedia filter • Disinfection with chlorine • 200 micron prefilter 	Recommended	50	60
Well (Municipally Treated) ²	<ul style="list-style-type: none"> • Chlorine < 4.0 mg/l • Turbidity < 1.0 NTU • TOC < 2.0 mg/L • SDI15 < 6.67 • Metals (Fe, Mn, Cu, etc.) < 1 mg/l 	<ul style="list-style-type: none"> • Iron removal filtration (if iron over 1 mg/l) • 200 micron prefilter 	Recommended with high turbidity, suspended solids, colloids, or ferric iron	200	30
Well (Private) ²	<ul style="list-style-type: none"> • Chlorine < 4.0 mg/l • Turbidity < 1.0 NTU • TOC < 2.0 mg/L • SDI15 < 6.67 • Metals (Fe, Mn, Cu, etc.) < 1 mg/l 	<ul style="list-style-type: none"> • Iron removal filtration (if iron over 1 mg/l) • Disinfection – optional • 200 micron prefilter 	Recommended with high turbidity, suspended solids, colloids, or ferric iron	100	30

¹ In all cases, a disposable pre-filter cartridge is recommended to protect the FreshPoint™ from large particles, plumbing debris, etc.

² Some shallow wells may have serious contamination problems, hazy water, high TOC, color and high bacterial loads. The backflush kit is recommended to avoid fouling in these installations.

NOTE: It is important to understand the water quality and fouling potential to determine the type of flushing required when installing the FreshPoint™.

Flow Capacity

- Assess the household water use, especially peak water draw. The standard single-element FreshPoint™ is sized for 10 gpm peak capacity flow. Water draw in the house that exceeds peak capacity will have the effect of reduced pressure and volume delivery at the open taps.
- Maximum recommended continuous flow for the FreshPoint™ system is 1.2 gpm for surface water, and 2.9 gpm for well water.

Installation Instructions

Plumbing

- The system and installation piping should be cleaned before the system is started so that no impurities, abrasive materials, or oily materials are washed into the membranes. The piping must be purged of air to prevent water hammer which can damage the system.
- A bypass system is strongly to permit the most efficient service of the FreshPoint™ over its life. Additionally, some local plumbing codes may require a bypass.
- All three FreshPoint™ housing ports on the system (inlet, filtrate or outlet, and drain) are 3/4" NPT connections.
- A 10 gpm flow control is included to be installed on the inlet of the FreshPoint™ to ensure the membrane operates in an efficient manner.
- A 7 gpm flow control is included to be installed on the drain line to maximize water efficiency and ensure proper flushing rates are achieved. Ensure the drain selected has the capacity for this flow rate.
- Private wells often have higher levels of turbidity or suspended solids that can shorten membrane life without adequate flushing. If fouling potential is high, a backflush kit should be installed. The installation of a pressure tank and solenoid valve switches the system from forward flushing to backflushing, thereby extending the membrane life in high fouling potential waters.
- For standard installations, a post-ultrafilter pressure tank is recommended to maintain pressure during a flush cycle.
- The system must be protected from possible back contamination by the installation of an air gap between the FreshPoint™ drain connection and the drain line.

Electrical Requirements

The FreshPoint™ controller requires a constant electrical supply to flush correctly (120 VAC).

Pretreatment

Pretreatment of the FreshPoint™ with a 200 µm filter is recommended. Some installations may require additional pretreatment. Reference the Flushing Schedule (Table 1) or the FreshPoint™ Ultrafiltration Systems Applications Guide for more information.

FreshPoint™ Location

- Note the location of the water supply, drain and an electrical outlet when choosing a mounting location. The FreshPoint™ is a point-of-entry (POE) device designed to treat water distributed throughout the entire plumbing system. The installation should be located near the point of entry, but ahead of where plumbing splits for distribution.
- The system mounting bracket has been designed to mount the FreshPoint™ sufficiently off the wall to accommodate installation of a pre/post filter inline with the water inlet and/or water outlet of the system.
- Remember to allow for visual and physical access to the meter/programming controls.
- Do not mount the FreshPoint™ above any electrical equipment, or above items that may become damaged if they get wet.
- Install the FreshPoint™ in a location that will allow for easy service access. Service and maintenance requires access to the unit and removal and replacement of the membrane element.
- Mount the FreshPoint™ to a wall in a vertical orientation using appropriate mounting hardware (not included) capable of supporting 51 pounds (23.1 kilograms).
- The FreshPoint™'s footprint is 12" x 12", exclusive of plumbing connections. The FreshPoint™ requires 85" of vertical room to allow for removal of the membrane, unless plumbing accommodations are made (e.g.: unions). See Figure 3 for a typical installation with dimensions.
- The backflush tank, in the backflush kit, requires an additional 16" by 16" of level floor space.

Plumbing Options

There are two options for plumbing in the FreshPoint™ system:

1. Standard Installation (Forward Flush only)
2. Backflush Kit Installation

Installation Instructions

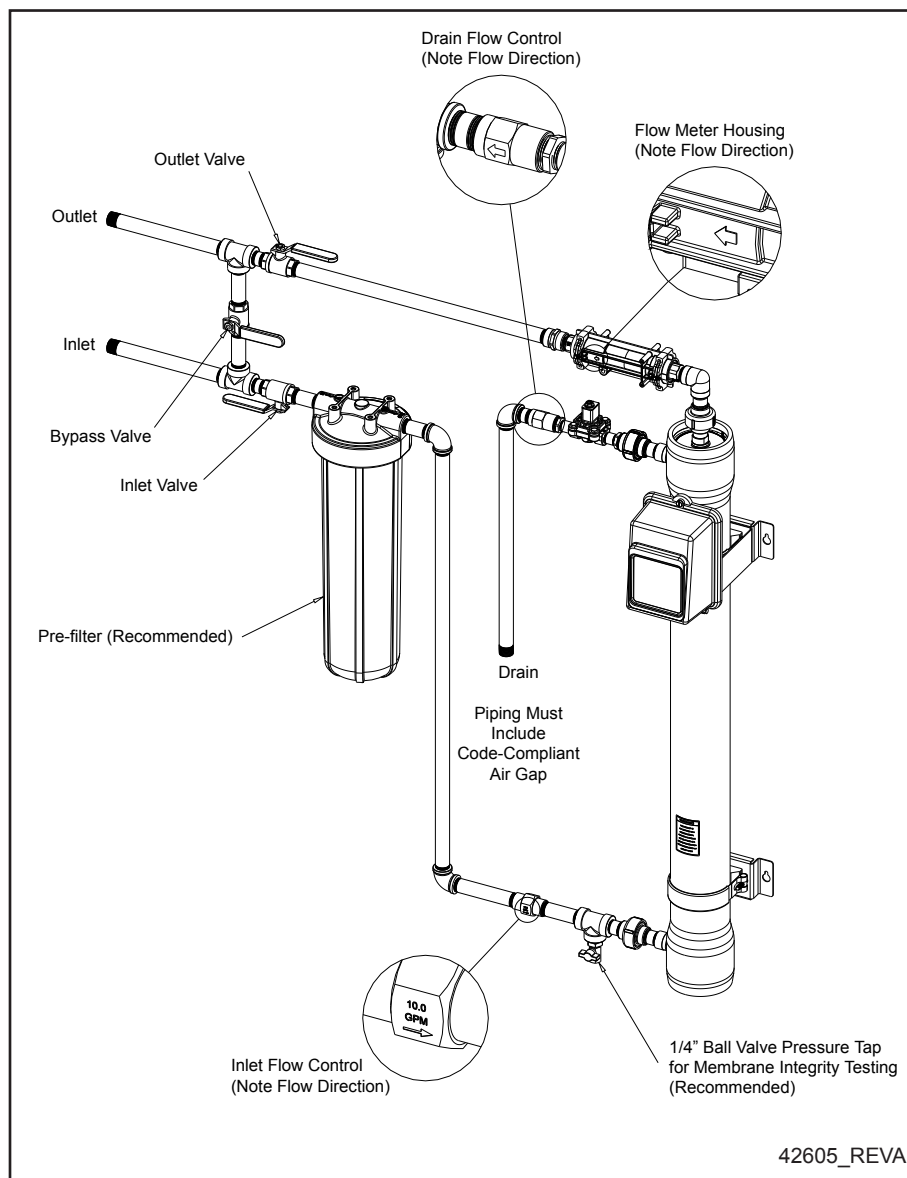
Standard Installation (Forward Flush only)

A standard installation clears the membrane periodically by opening a drain port, and allowing the feed stream flow in its normal direction, but at a faster rate. The flow goes in and out of the end of the fiber instead of through the membrane, and the foulant is cleaned off the membrane and out of the unit to drain.

Connect the FreshPoint™ to the household plumbing supply as shown in Figure 1. It is recommended that the plumbing include a system bypass for future service. A 200 um sediment pre-filter is recommended. For ease of membrane element replacement, unions are recommended as indicated on Figure 1.

NOTE: Installations without a pressure tank may experience drops in pressure/flow to the home during a flush cycle.

Figure 1: Tankless Installation



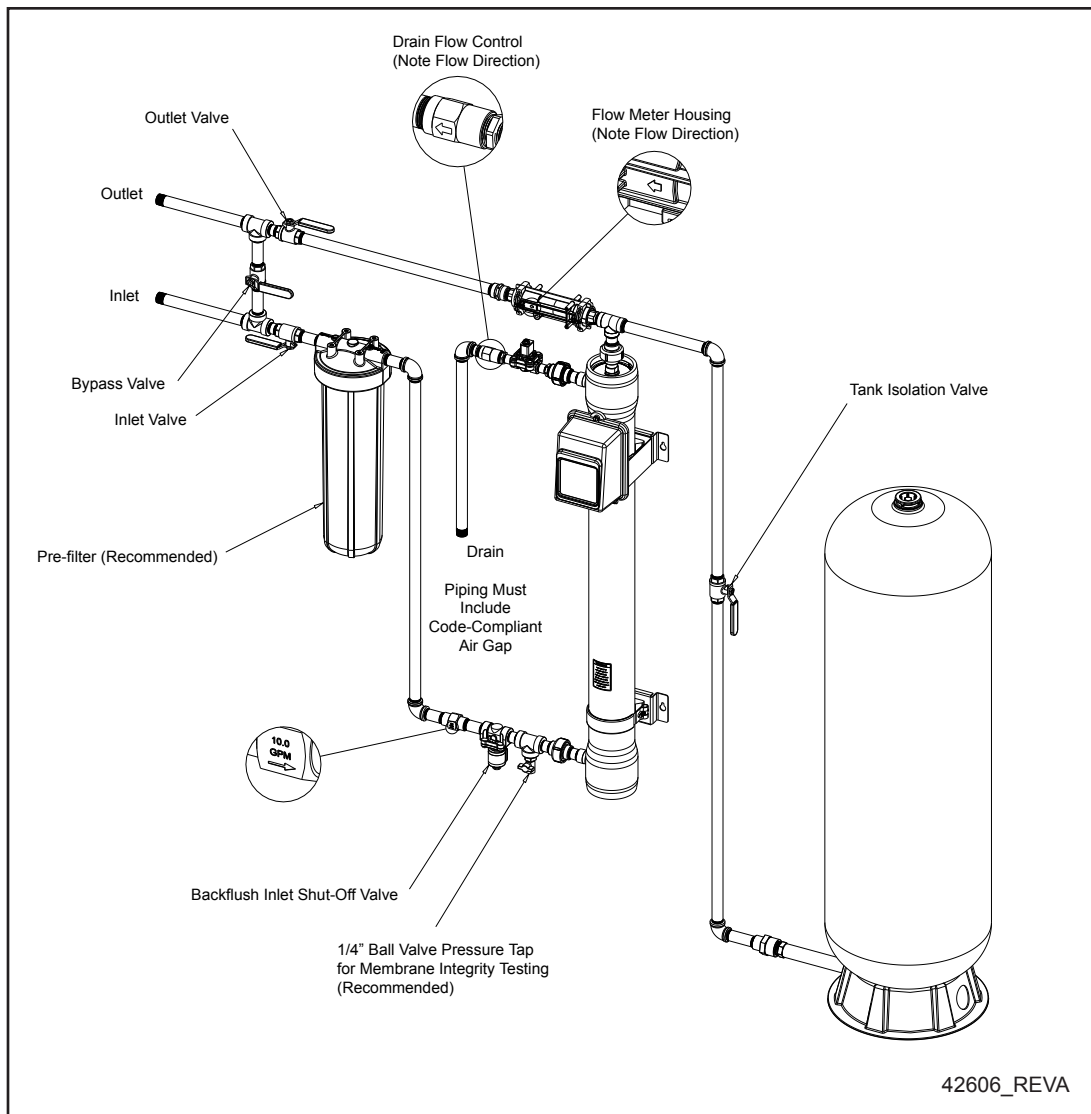
Backflush Kit Installation

Installations with high fouling potential will require plumbing in a pressurized surge tank and inlet solenoid valve (See Flushing Schedule Table 1). In the backflush mode, the filtered water from a pressure tank flows backward through the membrane from the filtrate side during the flushing cycle. This removes the foulant from the membrane surface as well as material that may have entered into the porous structure.

Connect the FreshPoint™ to the plumbing supply as shown in Figure 2. It is recommended that the plumbing include a system bypass for future servicing, etc. A 200 um sediment pre-filter is recommended. For ease of membrane element replacement, unions are recommended as indicated on Figure 2. The backflush tank should be installed on a tee before the flow meter. The backflush tank precharge pressure should be set to 20 psig.

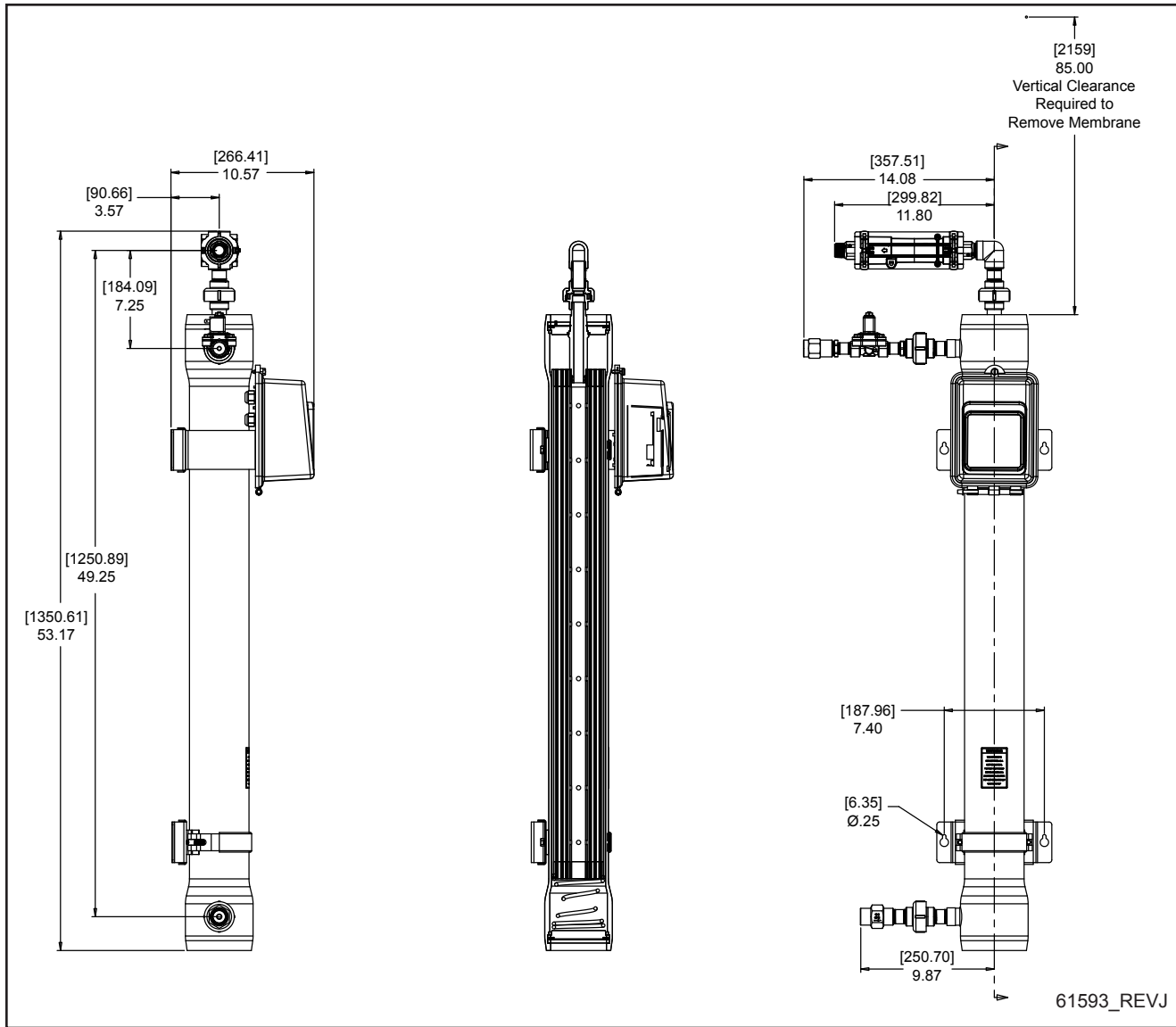
NOTE: Installation of the backflush tank after the meter will cause reverse flow through the meter and could have a detrimental effect on meter performance.

Figure 2: Backflush Kit Installation



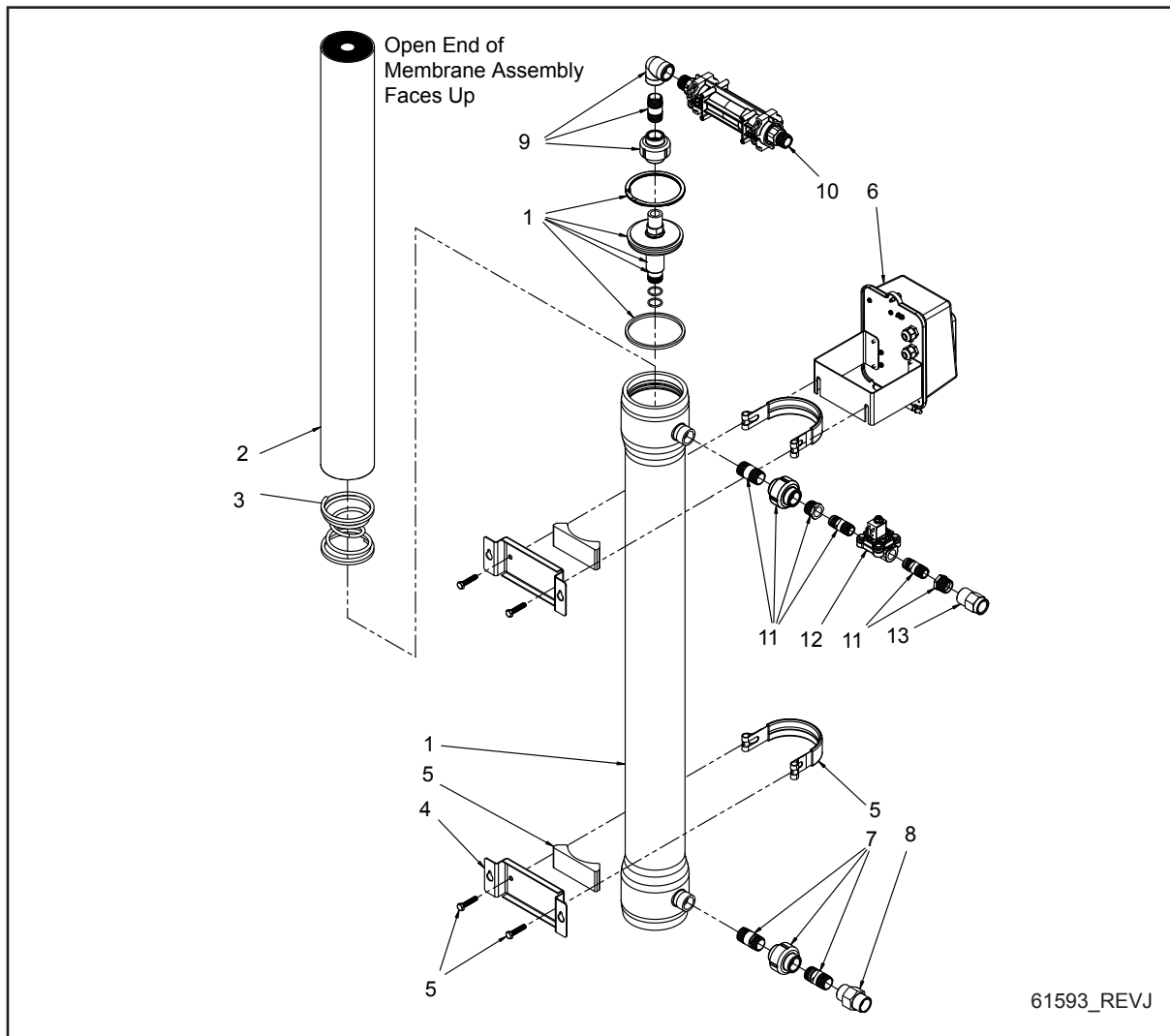
Installation Instructions

Figure 3: Dimensional Drawing for the FreshPoint™ Ultrafiltration System



NOTE: Dimensions are in inches. Metric (mm) dimensions are in brackets.

Figure 4: FreshPoint™ Assembly and Included Parts



61593_REVJ

Item No.	Quantity	Part No.	Description
1	1	61594-02	Codeline Vessel Assy, UF-Filter
2	1	61595-03	UF Filter Element Assy, 4"
3	1	42335	Spring, Codeline, U440 Filter
4	2	41972	Bracket, Mounting, UF Filter
5	2	41976	Saddle & Clamp Assy
6	1	61592-01	Timer Assy, UF, ET, 120VAC
	1	61592-03	Timer Assy, UF, ET, 230VAC, EU
	1	61592-04	Timer Assy, UF, ET, 230VAC, AU
7	1	61650	Fitting Kit, Inlet
8	1	60700-10	DLFC, 3/4"F x 3/4"F, NPT, 10 GPM, Brass
9	1	61663	Fitting Kit, Outlet
10	1	61560-11	Meter Assy, 3/4", InIn, NPT, Elec
11	1	61652	Fitting Kit, Drain
12	1	42556	Bracket, Solenoid, 1/2", NPT, NC
13	1	60699-70	DLFC, 3/4"F x 3/4"F, NPT, 7.0 GPM, Brass

Installation Instructions

Additional Water Treatment Devices

- It is preferable to install the FreshPoint™ ahead of softeners and carbon filters, as the removal of particulates generally improves their performance. The FreshPoint™ should be installed after equipment such as iron filters, sediment filters, or multimedia filters.
- Installation downstream of a chlorinator runs the risk of oxidative attack of the membrane, shortening the membrane life depending on chlorine level, time of contact and temperature. The FreshPoint™ can withstand a continuous dose of up to 4.0 mg/L (or ppm) of free chlorine, but continuous exposure to higher level of free chlorine or other oxidizing chemicals can shorten the life of the membrane.
- When installed on a chlorinated water supply of less than 4.0 mg/L free chlorine, it is preferable to allow the chlorine to pass through the FreshPoint™.

FreshPoint™ Installation Instructions

Tools and Supplies needed:

1. Teflon® thread tape or paste for leak free assembly of the pipe thread connections.
CAUTION: Ensure that the paste is compatible with plastic fittings.
2. Lubricant for seals (a packet of silicone is supplied)
NOTE: Silicone (supplied) should be applied sparingly to avoid fouling the membrane.
3. Four ¼" bolts to mount the system to the wall.
4. ½" open end wrench to tighten saddle clamp.
5. 7/16" open end wrench to tighten ¼" wall mount bolts.
6. Crescent wrench that can open to 1 ½" to grip flow control.
7. Pipe wrench to grip the vessel's side port.
8. Flat head screw driver and pliers to remove the vessel's vessel retaining ring.

Unpacking (Refer to Figure 4, FreshPoint™ Assembly)

1. Open the box with the hardware and verify that all of the components pictured on the FreshPoint™ Assembly page are present and undamaged.
2. Open the Plumbing Kit bags, and verify that all of the components listed on the parts list (found in the Plumbing Kit bags) are present and undamaged.
3. The membrane is packed in a preservative solution, and should not be opened until it is to be installed in the housing.

Hardware Assembly (Standard Assembly):

1. Assembly is most easily done on a horizontal surface.
2. Position a mounting bracket (Item 4), a saddle, and a saddle clamp (Items 5) about 10" from the top of the vessel (Item 1). Leave the bolts loose. Note: The smaller diameter portion of the mounting bolt holes in the mounting bracket must be positioned toward the top of the vessel.
3. Position the bracket of the timer (Item 6) between the mounting bracket and the saddle clamp. Ensure timer is oriented correctly.
4. Rotate the vessel so that the side ports are oriented in the direction compatible with the site plumbing and tighten the saddle clamp bolts with the ½" wrench.
5. Install the remaining mounting bracket, saddle, and saddle clamp at a convenient location near the bottom of the vessel, and tighten the saddle clamp bolts with a ½" wrench.

Vessel Head Removal

1. Remove the top end closure, bottom end closure, and two square cross section seals from the vessel.
 - a. Remove the retaining rings by prying the tabbed end out of the stainless steel groove with the tip of the screwdriver. Once the end of the retaining ring is clear of the groove, grasp the tab with the pliers and pull it toward the end of the vessel until the end of the ring is resting in the end margin of the shell.
 - b. Remove the 4" retaining ring from the stainless steel groove in the shell by rotating your finger behind the ring as it continues to exit the groove.
 - c. Once the retaining ring has been removed, examine the area for burrs or dings which could damage the head or membrane. If necessary, use Scotch-Brite® or 600 grade sandpaper to smooth the area.
 - d. Grasp the adapter and pull the head straight out. A small amount of side-to-side movement may be necessary to start the head moving.

Installation Instructions

Outlet Fittings

1. Apply thread sealant to the 3/4" NPT thread of the adapter (Item 1) of the top end closure and securely thread the male half of the union (Item 9, Outlet Fitting Kit) to it.
2. Apply thread sealant to both ends of the 3/4" NPT nipple (Item 9, Outlet Fitting Kit), and securely thread it to the female portion of the union (Item 9, Outlet Fitting Kit) and the elbow (Item 9, Outlet Fitting Kit). If installing with the backflush kit, substitute the backflush kit for the elbow (see Figure 2).
3. Remove the red retainer clips and the adapters from the ends of the meter assembly (Item 10).
4. Apply thread sealant to the 3/4" NPT thread of the meter assembly adapters.
5. Securely thread one of the meter assembly adapters into the elbow (Item 9, Outlet Fitting Kit). If installing with the backflush kit, substitute the tee from the backflush kit for the elbow (see Figure 2).

Drain Fittings

1. Apply thread sealant to the NPT nipples and reducer bushings (Items 11, Drain Fitting Kit).
2. Securely thread the male half of the union (Item 11, Drain Fitting Kit) to the 3/4" NPT nipple.
3. Securely thread a reducer bushing (Item 11, Drain Fitting Kit) to the female half of the union (Item 11, Drain Fitting Kit) and a reducer bushing to the inlet end of the DLFC (Item 13). The flow direction is indicated on the body of the flow control.
4. Securely thread one of the 1/2" NPT nipples (Item 11, Drain Fitting Kit) into each reducer bushing (Item 11, Drain Fitting Kit).
5. Securely thread the inlet port of the solenoid valve (Item 12) onto the 1/2" nipple which is connected to the union. The valves flow direction is indicated on the valve.
6. Securely thread the outlet port of the solenoid valve (Item 12) onto the 1/2" nipple which is connected to the 7 gpm DLFC. The flow direction is indicated on the body of the flow control.
7. Securely thread the 3/4" NPT nipple (Item 11, Drain Fitting Kit) into the top port of the vessel (Item 1).
NOTE: Use a wrench to hold the vessel's side port when tightening a fitting, movement of the port could damage the shell and/or the port.

Inlet Fittings

1. Apply thread sealant to the 3/4" NPT nipples (Items 7, Inlet Fitting Kit).
2. Securely thread one of the nipples into the outlet of the 10 GPM flow control (Item 8). The flow direction is indicated on the body of the flow control.
3. Securely thread female half of the union (Items 7, Inlet Fitting Kit) into the nipple extending from the 10 GPM flow control. If installing with the backflush kit, insert the backflush kit inlet solenoid valve between the union and the flow control (see Figure 2). If installing the recommended fittings for integrity testing, install immediately prior to the union (see Figures 1 and 2).
4. Securely thread the male half of the union (Items 7, Inlet Fitting Kit) onto the other 3/4" NPT nipple (Items 7, Inlet Fitting Kit).
5. Securely thread the 3/4" NPT nipple (Items 7, Inlet Fitting Kit) into the bottom port of the vessel (Item 1).
NOTE: Use a wrench to hold the vessel's side port when tightening a fitting, movement of the port could damage the shell and/or the port.

Insert Vessel Top Head

1. Install the square cut seal into the groove below the stainless steel ring at the top end of the vessel. The seal should be lubricated **lightly** on the ID surface only with the supplied silicone.
2. Installing the head into the vessel.
 - a. Install the top closure into the vessel. Using both thumbs, apply equal pressure on opposite sides of the head to force it into the vessel so that it clears the retaining ring groove.
 - b. Carefully insert the retaining ring into the groove. This is done by inserting the lead end of the spiral ring (end without bent tab) into the stainless steel retaining ring groove located in the shell, slowly pushing the remaining turns into the shell.
 - c. Check that the spiral retaining ring is fully seated in the groove. If it is not, remove it and check for foreign materials that would cause the spiral ring to not fully seat.

Installation Instructions

Connect Fittings to the Vessel

1. Connect the inlet end of the flow meter (Item 10) to the meter adapter which is threaded into the outlet elbow (Item 9), and secure it with the red clip. The flow direction is indicated on the body of the meter.
2. Connect the drain valve union (Item 11) to the union at the sideport near the top of the vessel (Item 1).
3. Connect the inlet union (Item 7) to the union at the bottom of the vessel (Item 1).
NOTE: Use a wrench to hold the vessel's side port when tightening a fitting, movement of the port could damage the shell and/or the port.
4. Position the hardware assembly and vessel bottom head against the wall and mark the four mounting bolt locations.

Installing the Membrane Element (Item 7):

1. Lay the assembled vessel and fittings on a horizontal surface.
2. Cut open the sealed bag of the filter element at the end where the center tube is open. Lightly lubricate the center tube with the supplied silicone.
3. Insert the filter element into the bottom of the vessel, with the open end of the center tube first, and removing the plastic bag as it goes in. A slight resistance will be felt at the last inch of insertion, as the seals on the adapter are compressed into the center tube of the element.
4. Install the square cut seal into the groove below the stainless steel ring at the bottom end of the vessel. The seal should be lubricated **lightly** on the ID surface only.
5. Insert the spacer spring (Item 3). About $\frac{1}{4}$ " of compression is required to compress it beyond the square cut seal.
6. Install the bottom closure.
 - a. Using both thumbs, apply equal pressure on opposite sides of the head to force it into the vessel, clearing the retaining ring groove.
 - b. Carefully insert the retaining ring into the groove. This is done by inserting the lead end of the spiral ring (the end without the bent tab) into the stainless steel retaining ring groove located in the shell, slowly pushing the remaining turns into the shell.
 - c. Check that the spiral retaining ring is fully seated in the groove. If it is not, remove it and check for foreign materials that would cause the spiral ring to not fully seat.

Mounting the Assembly on the Wall:

1. Install four $\frac{1}{4}$ " bolts at the positions previously marked. Leave enough clearance between the wall and the bolt heads to permit the mounting brackets to be slid into place.
NOTE: Bolts larger than $\frac{1}{4}$ " may not fit through the keyhole openings in the mounting brackets.
2. Tighten the four wall mounting bolts.
3. Install the other meter adapter into the meter assembly and fully insert the red clip.

Plumbing Connection:

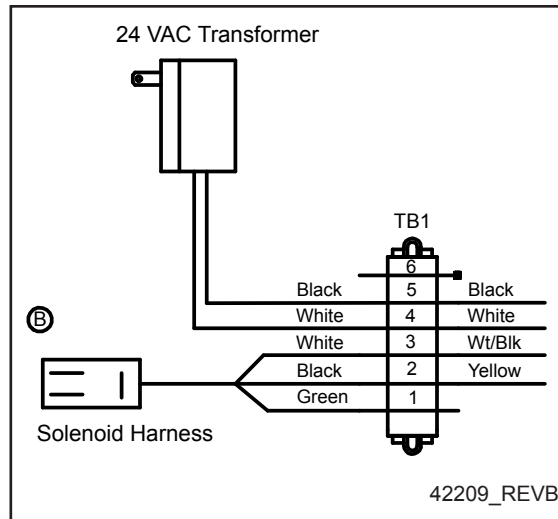
1. Connect the supply water to the inlet flow control, and complete supply plumbing. Couple the inlet union.
2. Connect the drain line plumbing to the drain flow control and couple the drain union.
3. Connect the meter adapter to the outlet plumbing and couple the outlet union.
NOTE: If installing with the backflush kit, complete the plumbing between the outlet tee and the backflush tank (see Figure 2). The backflush tank pre-charge should be adjusted to 20 psi. If installed, the backflush tank isolation valve should be closed.

Installation Instructions

Meter/Solenoid Electrical Connection (Refer to Figure 5)

1. Connect the drain solenoid wire harness to the solenoid valve.
2. Insert the flow meter cable into the socket on the flow meter
3. If installing with the backflush kit:
 - a. Remove the two transformer leads from the terminal strip (terminals 4 and 5) and replace them with the leads from the higher-rated transformer provided in the kit.
 - b. Install inlet solenoid's wiring harness (backflush kit) to the control board. The inlet solenoid leads should be installed in the same terminal locations as the drain solenoid (1-green, 2-black, 3-white). DO NOT connect the wiring harness to the solenoid at this time.
4. Plug the power cord transformer into a 120V GFI outlet.

Figure 5: Meter/Solenoid Electrical Connection Diagram



Installation Instructions

System Startup Guidelines

Electrical

Follow the instructions in the programming section of this service manual to setup the timer.

Check the FreshPoint™ For Leaks

- Ensure that all new plumbing connections, the three ports from the housing, and the two end cap perimeters have no leaks. Correct if needed.
- Manually initiate a flush cycle by pressing the Extra Cycle button. Ensure the drain solenoid valve opens and that a robust flow goes to the drain, and that the drain can handle the flow.

Flushing

Flush the membranes prior to placing the system in service to remove the membrane storage solution.

NOTE: If installed, the backflush tank isolation valve should be closed. If there is a tank and no isolation valve, ensure that each flush cycle fills and empties the backflush tank.

NOTE: If installed with the backflush kit, the inlet solenoid valve should not be connected to the wiring harness for flushing, as it will not permit easy removal of air from the system if operating.

Rinse the preservative solution from the membrane as follows:

1. Close the bypass valve of the bypass plumbing arrangement.
2. Open the outlet valve of the bypass plumbing arrangement.
3. Slowly open the inlet valve of the bypass plumbing arrangement. This will fill the module with water without creating a water hammer effect.
4. To expel air from the feed side of the membrane initiate at least two successive flush cycles by pressing the Extra Cycle button on the timer.

Rinse Cycle 1:

1. Open the service water faucet closest to the FreshPoint™ installation to permit a flow of five gallons per minute. Allow the system to flush for twenty minutes.
2. Initiate two successive flushes to drain by pressing the Extra Cycle button on the timer.
3. If a backflush tank is installed and not isolated, ensure that it is emptied by initiating successive flushes by pressing the Extra Cycle button on the timer.

Rinse Cycle 2:

1. Allow the service water to continue to flow at five gallons per minute. Permit the system to flush for an additional twenty minutes.
2. Initiate two successive flushes to drain by pressing the Extra Cycle button on the timer.
3. If a backflush tank is installed and not isolated, ensure that it is emptied by initiating successive flushes by pressing the Extra Cycle button on the timer.

Rinse Cycle 3:

1. Allow the service water to continue to flow at five gallons per minute. Permit the system to flush for an additional twenty minutes.
2. Initiate two successive flushes to the drain by pressing the Extra Cycle button on the timer.
3. If a flush tank is installed, ensure that it is emptied by initiating successive flushes by pressing the Extra Cycle button on the timer.
4. While the system is flushing check all plumbing connections for any possible leaks.

Installation Instructions

System Sanitizing - With Prefilter Installed

The unit should be sanitized/disinfected after the initial start up rinsing procedure, or in the case of biological fouling. The system should be disinfected after flushing but prior to use. Disinfect after the integrity test, if performed.

CAUTION: Sodium hypochlorite (bleach) is used for disinfection. The user should acquaint themselves with the appropriate safety precautions for storage and handling of the chemicals being used. USE ONLY SODIUM HYPOCHLORITE. DO NOT USE BLEACHES CONTAINING ANY OTHER COMPOUNDS.

1. Close the inlet valve of the bypass plumbing arrangement. If installing with backflush kit, disconnect the wiring harness from the inlet solenoid valve.
2. If the FreshPoint™ system is equipped with a backflush or product tank, initiate successive flushes by pressing the Extra Cycle button on the timer until the flush tank is empty. Isolate the backflush tank by closing the tank isolation valve. **CAUTION: Any product or backflush tank needs to be isolated during disinfection. The chemicals use in disinfection are at a higher concentration than recommended for these tanks, and are likely to cause damage to the tanks if exposed.**
3. Open a faucet near the FreshPoint™ system to ensure that the plumbing system is depressurized.
4. Remove the prefilter sump.
5. Remove the filter cartridge.
6. Add unscented bleach to the filter sump as follows:

Filter Size	Teaspoons of Unscented Bleach
10" x 2.5"	3/4
20" x 2.5"	1 1/2
10" x 4"	1 1/2
20" x 4"	3

7. Open the inlet valve, purge air from the cartridge filter sumps, and allow the water to flow until a chlorine smell can be detected in the water flowing from the open service faucet.
8. Close the service faucet and allow the system to soak for one hour.
9. Initiate a system flush by pressing the Extra Cycle button on the timer.
10. Open the service faucet and allow the water to flow until the chlorine smell is not detected.
11. Use a test kit to confirm that the chlorine level is below 4 ppm (ideally below 1 ppm).
12. Close the inlet valve, depressurize the plumbing, and replace the filter cartridge.
13. Repressurize the system by opening the closest faucet, and slowly opening the inlet valve of the bypass plumbing arrangement. Expel air from the feed side by pressing the Extra Cycle button several times.
14. Close the faucet. Open the tank isolation valve and reconnect the inlet solenoid valve to the wiring harness, if applicable.

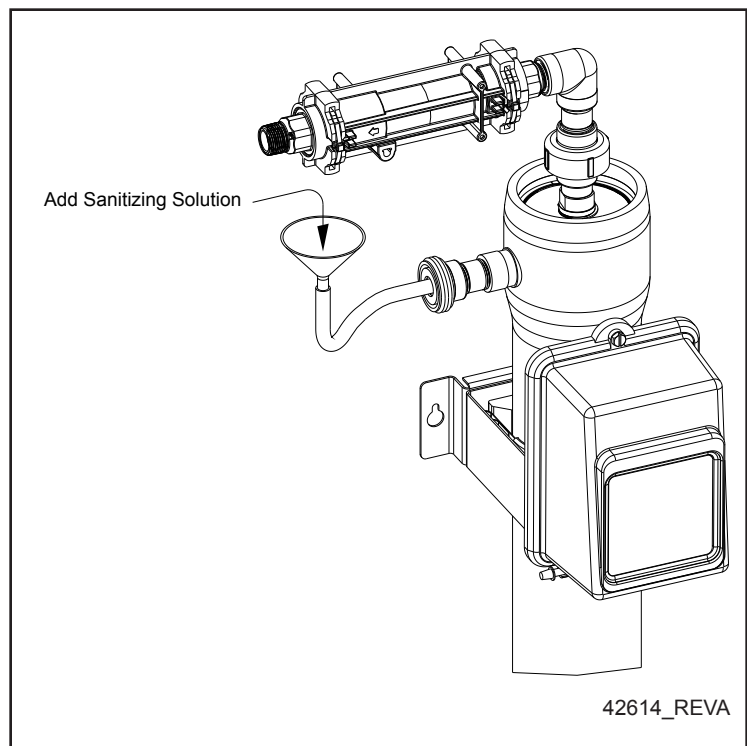
Installation Instructions

System Sanitizing - No Prefilter Installed

CAUTION: Sodium hypochlorite (bleach) is used for disinfection. The user should acquaint themselves with the appropriate safety precautions for storage and handling of the chemicals being used. USE ONLY SODIUM HYPOCHLORITE. DO NOT USE BLEACHES CONTAINING ANY OTHER COMPOUNDS.

1. Close the inlet valve of the bypass plumbing arrangement. If installing with backflush kit, disconnect the wiring harness from the inlet solenoid valve or product tank.
2. If the FreshPoint™ system is equipped with a backflush tank, initiate successive flushes by pressing the Extra Cycle button on the timer until the flush tank is empty. Isolate the backflush tank by closing the tank isolation valve. **CAUTION: Any product or backflush tank needs to be isolated during disinfection. The chemicals use in disinfection are at a higher concentration than recommended for these tanks, and are likely to cause damage to the tanks if exposed.**
3. Open a faucet near the FreshPoint™ system to ensure that the plumbing system is depressurized.
4. Separate the drain plumbing from the FreshPoint™ housing at the union.
5. Drain the FreshPoint™ housing into a bucket by loosening the supply port union or using the recommended integrity test port.
6. Tighten the supply port or close integrity test valve.
7. Through the drain port fill the FreshPoint™ housing with a solution containing chlorine at 100 mg/l (1 1/2 teaspoons of unscented bleach in 1 gallon of clean water). See figure 6.
8. Reconnect the drain plumbing union.
9. Open the inlet valve of the bypass valve arrangement and allow water to flow until a chlorine smell is detected in the water flowing from the open faucet.
10. Close the open faucet and allow the system to soak for one hour.
11. Initiate a system flush by pressing the Extra Cycle button on the timer.
12. Open the service faucet and allow the water to flow until the chlorine smell is not detected.
13. Use a test kit to confirm that the chlorine level is below 4 ppm (ideally below 1 ppm).
14. Repressurize the system by opening the closest faucet, and slowly opening the inlet valve of the bypass plumbing arrangement. Expel air from the feed side by pressing the Extra Cycle button several times.
15. Close the faucet. Open the tank isolation valve and reconnect the inlet solenoid valve to the wiring harness, if applicable.

Figure 6: Adding Sanitizing Solution



Membrane Integrity Test (Recommended)

All membrane elements are factory-tested, and pass integrity tests before they are shipped. However, a full system integrity test should be done upon startup and then routinely (once per year minimum) thereafter.

The integrity is used to check for:

- Internal leaks, such as cut or misaligned O-rings
- Damaged membranes

The preferred integrity test is the pressure decay test. Air pressure is applied to the membrane when it is fully wet-out (the pores are full of water), which is the membrane's condition when it has been properly flushed after start up. The amount of pressure loss is measured over a set period of time. If the pressure declines too fast, it indicates that there is a seal leak in the system or membrane fiber damage.

General Test Information

- The test requires that the membrane be fully "wet-out" (all pores full of water).
- The membrane assembly should be drained of all excess water.
- This test does not require the visual detection of a bubble. Instead it measures the loss of pressure or vacuum over time via a gauge.
- A certain amount of pressure loss will occur in an intact system from diffusion of air through the trapped water in the membrane pores ("baseline decay"). But a higher pressure loss will occur from membrane flaws or broken seals.
- To prevent contamination, use a clean air source, preferably filtered through a 0.2 micron filter on the air source.

Equipment (See Figure 7)

- Pressurized air source (~20 psig, 3+ scfm capacity) with pressure regulator, a small portable air tank, or a portable compressor.
- Pressure gauge (0-20 or 0-30 psig) with accuracy to 0.1 psi.
- Positive shut off valve (a bubble tight ball valve) to isolate the FreshPoint™ membrane inlet, and one to isolate the air source.
- Stopwatch, or watch with a second hand.

Integrity Test Procedure

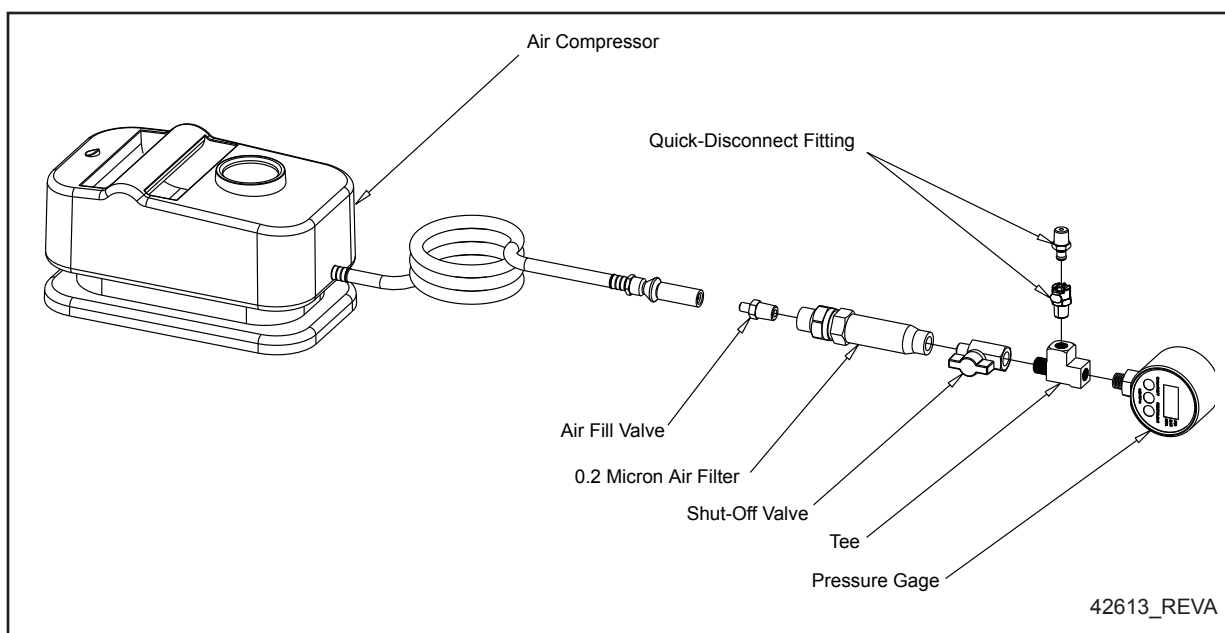
1. Ensure that the membrane is fully "wet-out" by operating the system at its maximum flow rate for at least 20 minutes by opening the nearest tap downstream.
2. Isolate the system by closing the inlet valve of the bypass plumbing arrangement.
3. If the system is installed with the optional flush tank, close the valve to the flush tank.
4. If installed with a backflush kit, disconnect the wiring harness from the inlet solenoid valve.
5. Depressurize the system by pressing the Extra Cycle button.
6. Open the nearest downstream faucet to allow air to escape during the test, or crack open the outlet union.
7. Drain the module by opening the 1/4" ball valve at the bottom of the module and pressing the Extra Cycle button on the timer to open the drain solenoid valve.
8. The drain solenoid valve will need to be opened repeatedly using the Extra Cycle button until there is no further evidence of water draining from the module.
9. Connect the Technician's Decay Test Components, Figure 7, with the quick connect fitting to the valve at the bottom of the module (see Figure 8).

Installation Instructions

NOTE: Test the system first for plumbing leaks by closing the downstream faucet and/or connecting the outlet union, and performing steps 11 through 13. Pressure decay with outlet plumbing closed indicates a leak in the plumbing or valves, and the plumbing connections should be tightened or replaced and the system retested until the plumbing passes. In the event a drain solenoid is leaking, actuating a flush a few times may cause it to seat. If not, it should be replaced.

10. Turn on the air compressor.
11. With the drain solenoid valve closed, carefully pressurize the feed side (the inside of the fiber lumens) to 15.1 psig to 15.4 psig by pressing the air compressor hose chuck onto the air supply valve on the Technician's Decay Test Components, Figure 7. **DO NOT PERMIT THE MODULE TO BE PRESSURIZED TO GREATER THAN 16 PSIG.**
12. Turn off the air compressor.
13. Begin timing the pressure decay when the pressure falls to 15.0 psig.
14. Record the pressures at 30, 60, 90, and 120 seconds.
15. Once the plumbing has passed the test, test the membrane and membrane seals by opening the nearest downstream faucet to allow air to escape during the test, or crack open the outlet union.
NOTE: A membrane that is not properly wet-out or has been sitting for some time may cause a false failure. Ensure that the membrane has been flushed properly before performing the Integrity Test.
Acceptance Criteria: After two minutes, the system should not have decayed from 15.0 psig to less than 14.5 psig.
16. If the system fails to hold pressure, replace the membranes and/or seals.
17. When the testing is complete, depressurize the modules by pressing the valve core in the air supply valve on the Technician's Decay Test Components, and by pressing the Extra Cycle button.
18. Close the $\frac{1}{4}$ " valve at the bottom of the module.

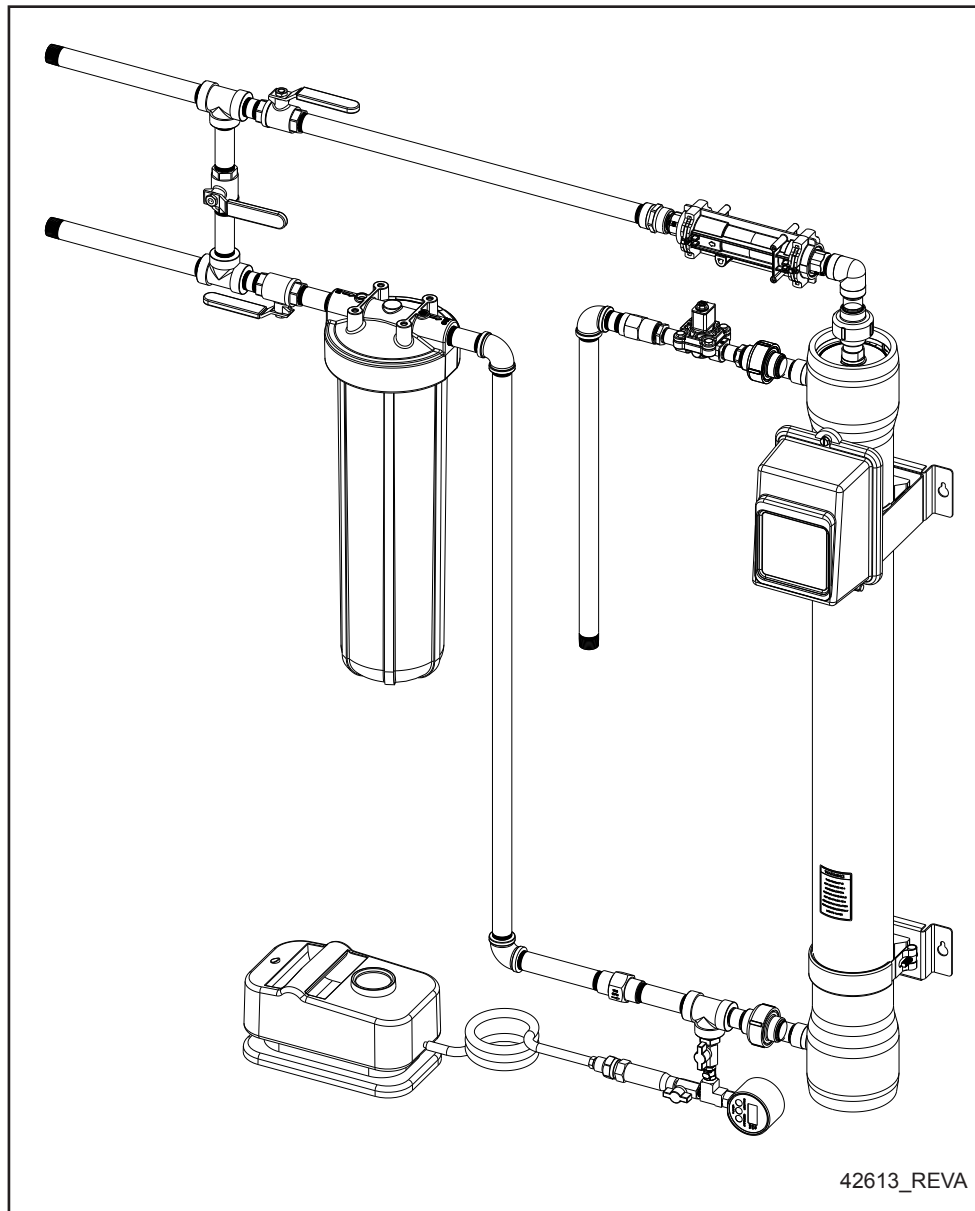
Figure 7: Technician's Decay Test Assembly



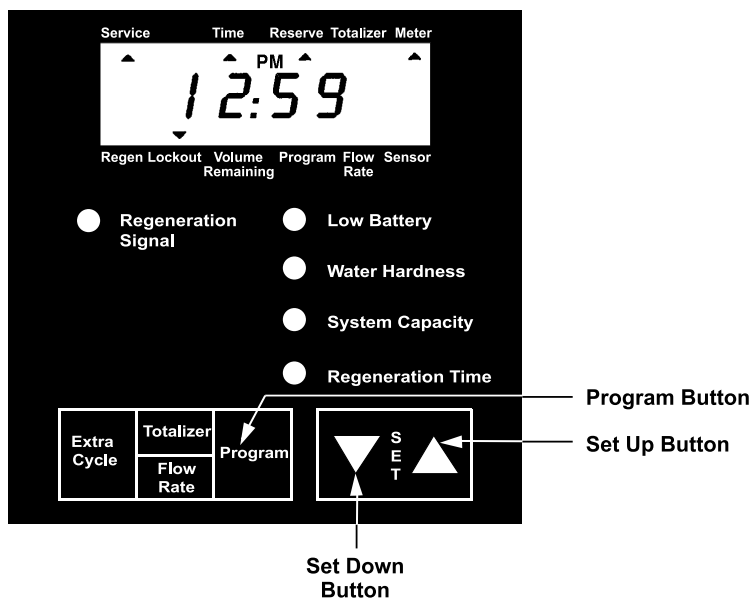
Installation Instructions

19. Remove the Technician's Decay Test Components.
20. Repressurize the module with water by slowly opening the inlet valve of the bypass plumbing arrangement.
21. Close the downstream faucet was opened for the test, or reconnect the outlet union, when air is no longer being expelled.
22. Press Extra Cycle button to flush trapped air from the feed side of the module.
23. Open the flush tank valve, if present.
24. Reconnect the inlet solenoid valve wiring harness, if applicable.

Figure 8: Integrity Test Simplified Diagram



Basic Programming Quick Reference Guide



Basic Programming Quick Reference Guide

1. Plug in the system
2. The display will alternate between Time and Flush Volume (Default 100 gallons)
3. Set the time to 12:01 PM by moving the Set Up button and/or the Set Down button
4. Press and hold the Program button to for 5 seconds to enter the programming menu
5. Once in the programming menu, continue to press the Program button to toggle through the various settings listed below
6. Use the Set Up button and/or the Set Down button to adjust the setting as desired

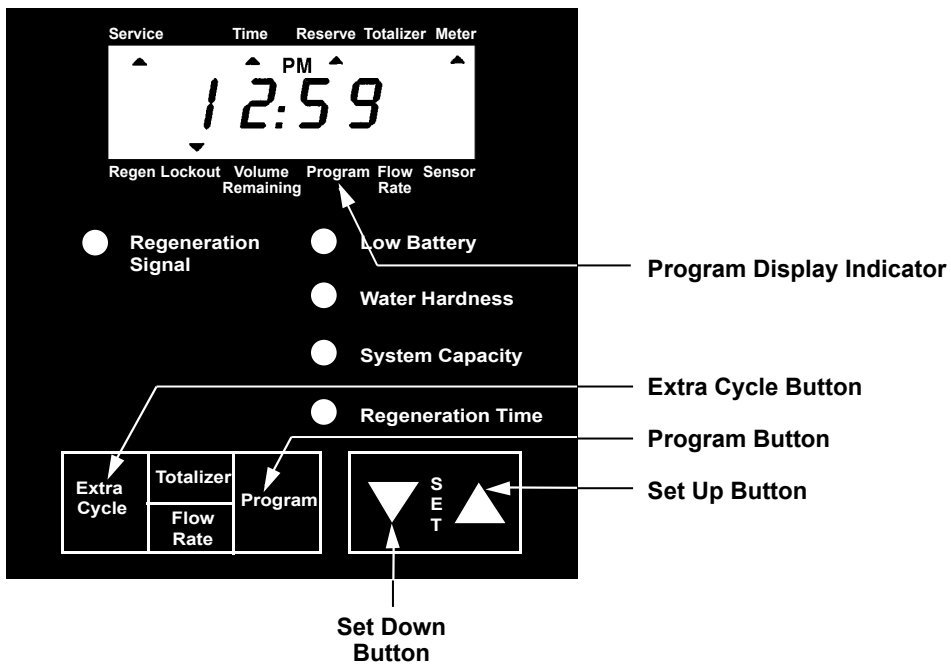
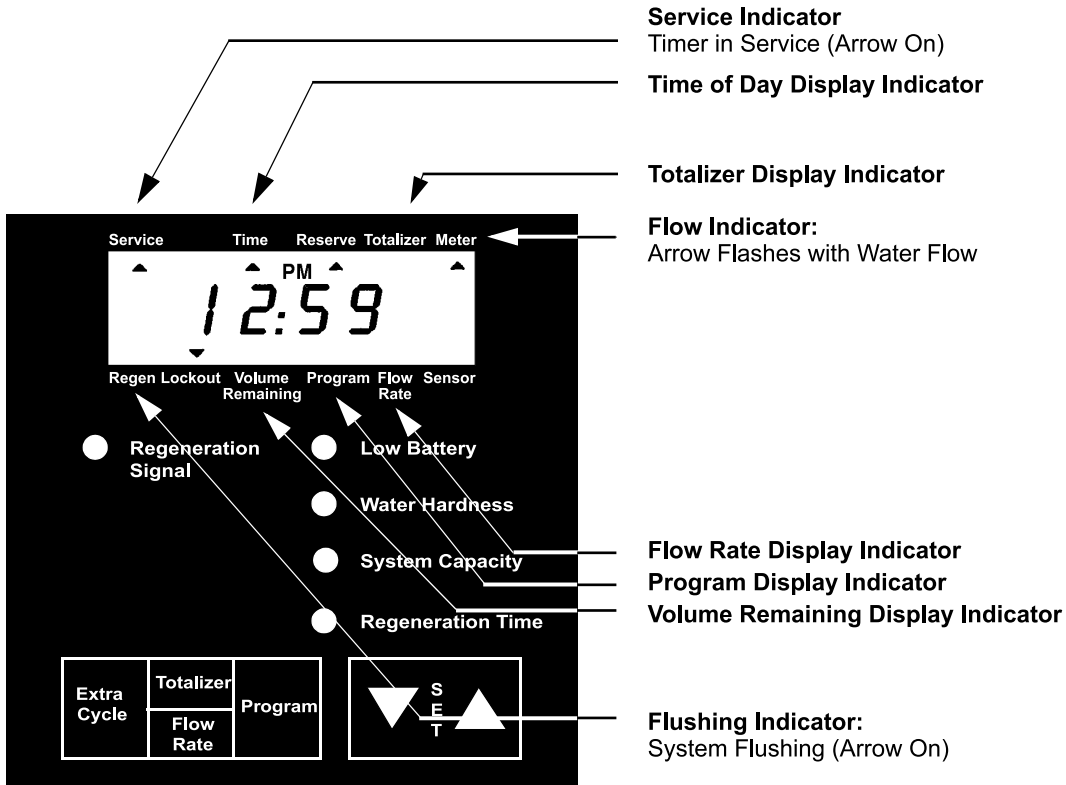
* In typical applications, only the Flush Duration, Flush Volume, and Time of Day would need adjustment

During cold weather, it is recommended that the installer warm the system up to room temperature before operating.

A 9V alkaline battery is recommended to be installed at all times for proper controller operation. The system will indicate when the battery needs to be replaced by turning on the Low Battery LED.

Default Settings	
1--- 0.5	Flush Duration- minutes (eg. 30 seconds = 0.5) (default 0.5 minutes)
Fr --- .0	Flow rate
d --- 0	Days since last regeneration
E ---0	Prior volume used
Pd ---0	Previous day usage
y --- OFF	Time Aux off
r --- OFF	Cancel setting
n --- OFF	Chem pump off
A --- 1	Time override - days (default 1 day)
b --- 100	Flush volume - gallons (default 100 gallons)
u --- 1	US gallons
7 --- 2	Meter immediate flush
F --- 6	Allows for pulse setting of flow meter
F - 6 - 80.0	80 pulses per gallon
PL --- OFF	Lock OFF

Timer Display



Programming

Controller Operation During Service

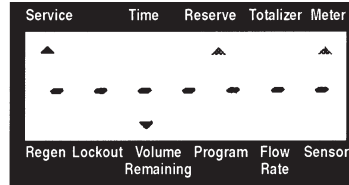
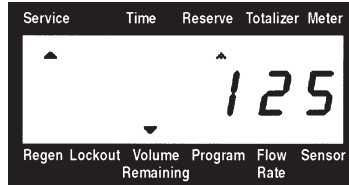
1. In normal operation the Time of Day and Volume Remaining displays will alternate. Set the Time of Day display by pressing the Set Up or Set Down buttons to the correct time.

Example:
12:59 A.M.
(System in Service)



2. The Volume Remaining display is the volume of water (in gallons) remaining prior to flushing. Without any water usage, the Meter Arrow should be either off or on but not changing. Open a tap. The Meter Arrow should begin flashing at a rate that varies with flow rate. Close the tap after 3-5 gallons of water flow.

Example:
125 Gallons of Water
Remaining
(System in Service)
(No Water Flow)

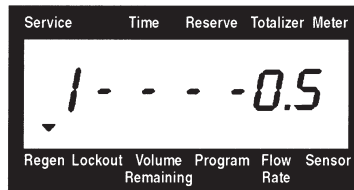


Example:
0 Gallons of Water
Remaining
(System in Service)
(Water Flowing, Meter
Arrow Flashing)

Timer Operation During a Flush Cycle

1. Manually initiate a flush cycle and allow water to run to the drain. To initiate a flush, press and release the Extra Cycle button. The system will go into flush mode immediately.
 - A. **During Flushing:** The the system will display the time remaining.

Example:
(System is sending
0.5 minute regen signal)
(Regeneration Arrow)

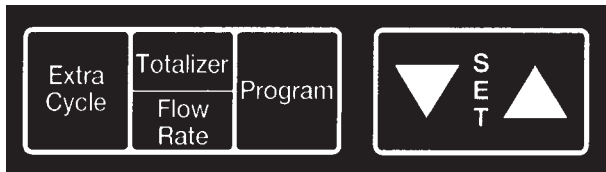


- B. Pushing the Set Up or Set Down button during the flush cycle will adjust the time remaining in that cycle. The programmed flushing time will not be changed.
- C. After the flush cycle, the system returns to in service and will resume normal operation.

Control Operation During Programming

The system will only enter the Program Mode when it is in service and operating on line power. While in the Program Mode the system will continue to operate normally, monitoring water usage and keeping all displays up to date. System programming is stored in memory permanently with or without line or battery backup power.

Keypad Operation



Extra Cycle Button

Pushing this button will initiate a flush immediately, independent of the actual system conditions.

Totalizer/Flow Rate Button

This button is used to view the Totalizer and Flow Rate displays. Pressing the button once will display flow rate. Pressing the button again will display the total accumulation of water flow through the system since it was last reset. Pressing the button once more will return the display to the Time of Day or Volume Remaining screen. The Totalizer display is reset by pressing and holding the Totalizer button for 25 seconds. During the 25 seconds, the Totalizer Arrow will flash, indicating the display is being reset properly.

Program Button

This button is used by the installer to program those settings indicated on the front panel by red LEDs.

Set Up Button

This button is used to set the current time of day, adjust time remaining in a flush cycle step, and in system programming. The Set Up button will increment a display setting.

Set Down Button

This button is used to set the current time of day, adjust time remaining in a flush cycle step, and in system programming. The Set Down button will decrement a display setting.

Low Battery Indicator

When the system is operating on line power, the red LED will turn on whenever the 9V alkaline battery (not included) used for memory backup needs to be replaced. The battery is stored against the valve backplate. In the event of a power outage, the battery will maintain current operating displays for approximately 24 hours at maximum battery capacity.



Programming

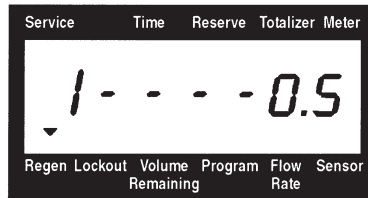
Changing Flushing Duration

1. While the system is in service, press and hold the Program button for 5 seconds.
2. The Flush Duration Time will be displayed. Use the Set Up and Set Down Set Buttons to adjust the time.

Note: The time can be set in 0.1 minute increments.

Example:

(Timer is sending 0.5
minute regen signal)
(Regeneration arrow on)



Changing Flushing Frequency

Press the Program button. The next display is used to set the maximum amount of water that can be used before a flushing cycle is called for.

Examples: Flush every 100 Gallons

[b - - - 100]

Override cancelled

[b - - - OFF]

— Use the Set Up and Set Down buttons to adjust these settings.

Flushing Day Override

Press the Program button. The next display is used to set the flushing day override option setting. This setting sets the maximum number of days the filter can be in service without a flush, regardless of water usage.

Examples: Override every 1 day

[A - - - - 1]

Cancel setting [A - - - OFF]

— Use the Set Up and Set Down buttons to adjust these settings.

General Timer Programming

1. Using the Set Up and Set Down buttons, adjust the time on the controller to 12:01 P.M.
2. Press and hold the Program button for 5 seconds.
3. The first display is the Flush Duration Time. This can also be adjusted on this display using the Set Up and Set Down buttons. To skip this display, press the Program button.

Example: 0.5 minutes [1----0.5]

4. Flow Rate Display (Fr)

The first display is the current flow rate of treated water through the system. The unit of measurement is gallons/liters per minute.

Example: 8.5 Gallons Per Minute [Fr - - - 8.5]

5. Days Since Last Regeneration Display (d)

Press the Program button. The number of days since the last regeneration is recorded in this display by the control.

Example: 4 days [d - - - - 4]

6. Prior Service Volume Used Display (E)

Press the Program button. This displays the amount of water treated since the last system flush recorded. The unit of measurement used is gallons/liters/cubic meters.

Example: 850 Gallons - [E - - - 850]

7. Previous Days Water Usage Display (Pd)

Press the Program button. This displays the previous days water usage in gallons/liters/cubic meters.

Example: 200 gallons - [P d - - 200]

8. Timed Auxiliary Output Window #1 Setting (y)

This setting should be set to OFF.

Cancel setting [y - - - OFF]

9. Timed Auxiliary Output Window #2 Setting (r)

This setting should be set to OFF.

Cancel setting [r - - - OFF]

10. Chemical Pump Output (n)

This setting should be set to OFF.

Cancel setting [n - - - OFF]

11. US/Metric Display Format (U)

Press the Program button. This display is used to set the US or Metric format.

There are five possible settings:

1. The **U.S. Format** uses gallons for volume and gallons per minute for flow rate related data/displays with a 12-hour timekeeping format.

Example: [U - - - - - 1]

2. The **European Metric Format** uses liters for volume and liters per minute for flow rate related data/displays with a 24 hour timekeeping format.

Example: [U - - - - - 2]

3. The **Standard Metric Format** uses liters for volume and liters per minute for flow rate related data/displays with a 24 hour timekeeping format.

Example: [U - - - - - 3]

4. The **Cubic Meter Metric Format** uses m³ for volume and liters per minute for flow rate related data/displays with a 24 hour timekeeping format.

Example: [U - - - - - 4]

5. The **Japanese Metric Format** uses liters for volume and liters per minute for flow rate related data/displays with a 24 hour timekeeping format.

Example: [U - - - - - 5]

— Use the Set Up and Set Down buttons to adjust these settings.

12. Regeneration Type (7)

Press the Program button. This display is used to set the type of flushing initiation. The default setting of meter immediate is highly recommended for proper flushing and operation of the FreshPoint™ system.

Programming

There are three possible settings:

1. Timeclock Delayed

The timer will determine when flushing is required based on the set flushing time and day override settings.

Example: [7 - - - - - 1]

2. Meter Immediate (Recommended)

The timer will determine when flushing is required based on when the volume of treated water exceeds the flush frequency volume. Flushing begins immediately.

Example: [7 - - - - - 2]

3. Meter Delayed

The control will determine when flushing is required based on when the volume of treated water exceeds the flush frequency volume. Flushing begins immediately at the set flush time only when service flow has not been detected. Flushing is delayed in two, 10-minute sections, for up to an additional 20 minutes with service flow.

Example: [7 - - - - - 3]

13. Flow Meter Size (F)

Press the Program button. This display is used to set the size of the system flow meter. This setting will not be displayed on non-metered systems.

Examples: [F - - - - - 0] **Option Not Typically Used**
 [F - - - - - 1] **Standard 3/4" Flow Meter**
 [F - - - - - 2] **Standard 1.0" Flow Meter**
 [F - - - - - 3] **Standard 1.5" Flow Meter**
 [F - - - - - 4] **Standard 2.0" Flow Meter**
 [F - - - - - 5] **Standard 3.0" Flow Meter**
 [F - - - - - 6] **Non-Standard Flow Meter, Enter Pulses Per Gallon/Liter**
 (used for FreshPoint™)

— Use the Set Up and Set Down buttons to adjust these settings.

NOTE: The standard meter on the FreshPoint™ has a pulse count of 80.0.

14. Program Lock (PL)

Press the Program button. This option prevents certain displays from being viewed or set.

There are two possible settings:

Examples: [PL - - OFF] **Lock Cancelled (Recommended)**
 [PL - - - ON] **Lock Active**

NOTE: It is strongly recommended that the program lock remain set to OFF.

Exiting the Option Setting Level

Press the Program button once per display until all have been viewed.

Resetting the Permanent Programming Memory

Press and hold the Program button for 50 seconds. This erases all previous display settings, and resets them to default values. Reset the timer programming if necessary.

When to call the Dealer

If problems are experienced with the installation or operation of the FreshPoint™, refer to the troubleshooting guide in this service manual, or contact your FreshPoint™ Distributor for assistance.

Monitoring

If changes to the flow rate or pressure are noticed, contact the installer to get recommendations on changing flushing settings, and/or have the system evaluated by the installer. Many factors can cause a change in pressure. As water temperature decreases, the flow available from the FreshPoint™ system will also decrease for the same inlet pressure. The flow rate will drop or rise approximately 3% for a corresponding 1° (1.8°F) drop or rise in water temperature. Prefilter plugging will cause a decrease in available pressure. Additionally, if a noticeable loss of pressure is detected over time, the current flushing schedule may not be sufficient to prevent fouling, and additional flushing will be required. Refer to the Troubleshooting section in this service manual to address this and other issues.

Prefilter Changes

The prefilter should be changed as recommended by the manufacturer. Generally, change the cartridge when a decrease in pressure is noted, or after 6 months installed.

Membrane Maintenance

The FreshPoint™ membrane must be kept in a wetted condition. Once installed or during service and maintenance activities, do not allow the FreshPoint™ membrane to sit completely drained for extended periods (greater than 12 hours). Failure to do so may damage the system. If the FreshPoint™ is drained or out of service for an extended period of time, the installer/dealer should put a preservative into the system to keep the membrane wetted and prevent microbial growth. A 0.1% sodium bisulfite solution is recommended. A 0.1% sodium bisulfite solution would be 1 gram of sodium bisulfite added to one liter of water (approximately ten liters are required).

Prior to putting the FreshPoint™ back into service, the system should be flushed and sanitized per the instructions in the Installation section of this service manual.

Membrane Cleaning

Membrane cleaning is required when the surface of the membrane and membrane pores become fouled. This is most often detected by a loss of flow rate. The FreshPoint™ membranes should be maintained in a clean condition, unfouled by particulate matter, precipitates or biological growth. Contact your FreshPoint™ Distributor for cleaning.

Service & Maintenance

Membrane Storage After Use

After initial use the membranes need to be kept wet at all times. To avoid biological growth during shutdowns or storage, wet membranes should be treated with a compatible biocide.

Downtime up to 24 hours - no measures required.

Downtime 1 to 15 days – Automatic flushing

Systems that are equipped with automatic time based flush systems (and feed water is available) can continue to flush automatically provided the flush cycle occurs at least every 24 hours for a minimum of 30 seconds.

Downtime Over 15 days – Automatic flushing

Systems that are equipped with automatic time based flush systems (and feed water is available) can continue to flush automatically provided the flush cycle occurs at least every 24 hours for a minimum of 60 seconds.

Downtime > 7 days – No Automatic flushing / Membranes stored in place

Membranes should be cleaned and disinfected. The system should be put in bypass. Then fill with a 0.1% sodium bisulphite solution. Leave membranes installed in the system.

NOTE: DO NOT FREEZE! Take precautions to ensure the FreshPoint™ system is not exposed to freezing temperatures.

In all cases the membranes must be stored hydraulically filled.

CAUTION: Any time a storage solution is used the membranes must be flushed and sanitized prior to use. See Membrane Flushing & Disinfection guidelines. An integrity test is recommended.

To replace the membrane element:

1. Use the bypass valve to bypass the system. Isolate the backflush tank, if applicable.
2. Run a manual flush by pressing the Extra Cycle button until water no longer comes out of the drain port.
3. If installed, use the integrity test port to drain the system. It may be useful to open the drain by pressing the Extra Cycle button to help draining.
4. Unplug the power cord leading to the system and gently disconnect the cord leading to the flow meter and the wire harness(es) leading to the solenoid valve(s).
5. Slowly disconnect the three unions starting with the union located closest to the floor (this will allow any remaining water to drain from the system).
6. Loosen the four mounting bolts which fasten the FreshPoint™ to the wall. Lift the system up slightly and pull away from the wall.
7. Open the end caps (see page 10 for instructions on installing the vessel head), and slide the membrane element out of the membrane housing (both end caps may need to be removed so the element can be pushed out of the housing).
8. Lubricate the O-rings sparingly with silicone. Replace the end cap on the bottom port.
9. Install the spacer spring.
10. Gently slide the new membrane element into the housing.

NOTE: The open distributor tube of the membrane should be oriented up.

NOTE: DO NOT DROP THE MEMBRANE ELEMENT INTO HOUSING-THIS COULD DAMAGE THE MEMBRANE ELEMENT.

11. Gently and firmly slide the top adaptor with O-rings into the membrane elements center tube, and fasten the end cap (See page 13 for instructions on installing the vessel head).
12. Remount the FreshPoint™ and reattach plumbing. Reconnect the meter cable and wire harness(es).
13. Put the unit back into service with the bypass valve. Before using system, perform flushing and sanitizing procedures as listed in the Installation section of this service manual.

Troubleshooting

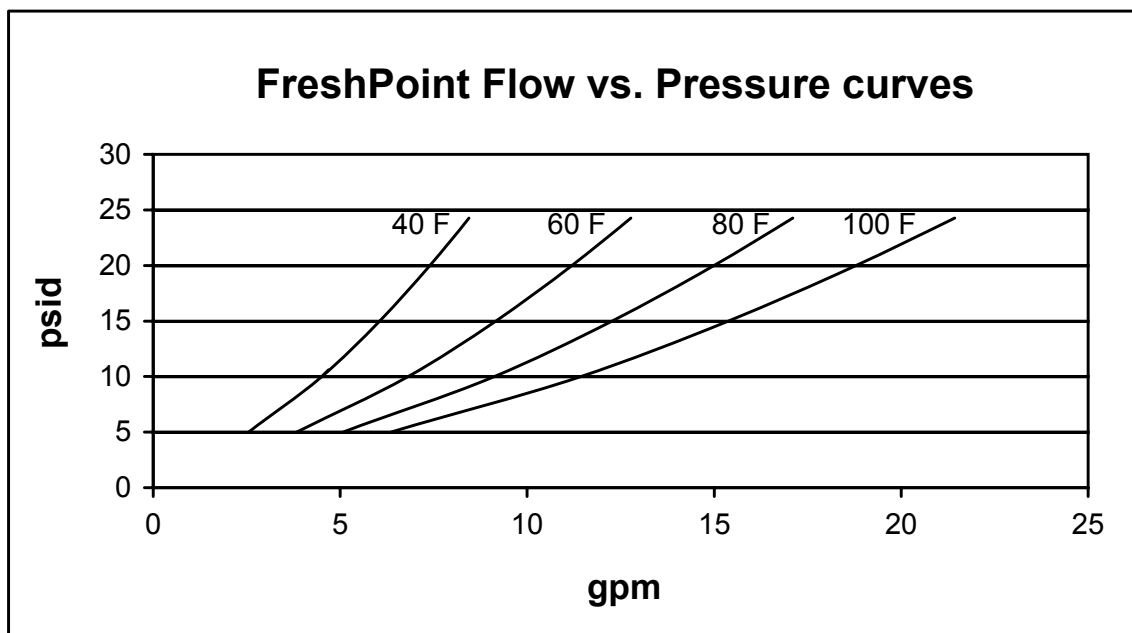
Problem	Possible Cause	Correction
1. System controller does not have power.	A. The system is not plugged in.	A. Plug the system controller in.
2. There is no product water flow to the house.	A. Bypass valves are not in the correct positions to allow water flow to the house, or supply water is unavailable.	A. Restore supply flow to the system.
	B. Cartridge in prefilter is plugged.	B. Replace or clean the filter cartridge.
	C. FreshPoint™ membrane is fouled.	C. Contact your FreshPoint™ dealer for service.
3. There is low flow or pressure available.	A. FreshPoint™ is flushing.	A. Wait for flush to end. If desired, have a pressure tank installed after system to maintain pressure during flush. If flushing continuously, see #4 below.
	B. Unit is not flushing frequently enough.	B. Decrease the volume between flushes, and/or increase the flush time.
	C. Inlet water pressure is too low.	C. Boost the inlet water pressure.
	D. Cartridge in prefilter is plugged.	D. Replace or clean the filter cartridge.
	E. FreshPoint™ membrane is fouled.	E. Contact your FreshPoint™ dealer for service.
	F. Incoming water temperature is too low.	F. Contact your FreshPoint™ dealer for options to compensate for low water temperature.
4. System is flushing continuously.	A. Drain solenoid valve is stuck open.	A. Replace the drain solenoid valve.
	B. System controller circuit board is sending flush signal continuously.	B. Contact your FreshPoint™ dealer for service.
5. System is not flushing.	A. The system is not plugged in.	A. Plug the system controller in.
	B. Drain solenoid valve is stuck closed.	B. Replace the solenoid valve.
	C. Meter is not reading flow.	C. Check the connection of meter cable to meter, secure if necessary.
	D. System controller circuit board is not sending flush signal.	D. Contact your FreshPoint™ dealer for service.
6. Meter is not reading flow.	A. Meter cable is not secured to meter body.	A. Check the connection of meter cable to meter, and secure if necessary.
	B. Meter or controller are malfunctioning.	B. Contact your FreshPoint™ dealer for service.

Troubleshooting

Problem	Possible Cause	Correction
7. Water leaks at the end of the filter cartridge after changing cartridge.	A. Cartridge end connections are not tight enough.	A. Tighten with wrench if necessary.
	B. O-rings are not properly lubricated.	B. Lubricate O-rings.
	C. O-rings are cut, or deformed.	C. Replace O-rings.
8. System controller display is blank.	A. The system controller is not plugged in.	A. Plug the system controller in.
	B. System controller circuit board is malfunctioning.	B. Contract your FreshPoint™ dealer for service.
9. Water has an unpleasant taste and/or suds when being drawn.	A. Unit has not been flushed sufficiently at startup.	A. Open all faucets in the house, and let water flow for 20 minutes, starting at the faucet closest to the system.
10. Water splashes at drain during flush.	A. Drain line not positioned properly.	A. Reposition the end of the drain line.
11. Backflush flow stops before end of flush cycle.	A. High flush tank precharge pressure.	Adjust flush tank precharge pressure to 20 psig.
	B. Backflush tank is too small for flush and service usage.	B. Install a larger backflush tank.
12. Water leaks at the end of the membrane housing.	A. Seal missing or damaged.	A. Replace seal.
	B. Sealing surface is rough, has burrs or dings.	B. Use Scotch-Brite® or 600 grit sand paper to smooth area.

Flow Rate vs. Driving Pressure

Figure 9: FreshPoint™ Flow Vs. Pressure Drop



NOTE: Curves are shown for a clean membrane at various water temperatures.

NOTE: Flow decreases 3% for each 1.8°F (1°C) decrease in feed water temperature.

Notes
